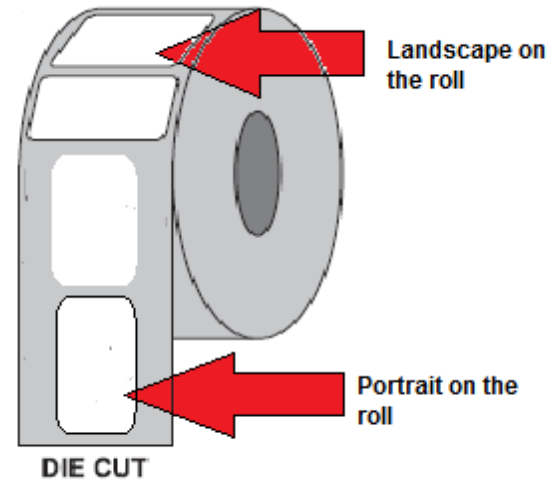
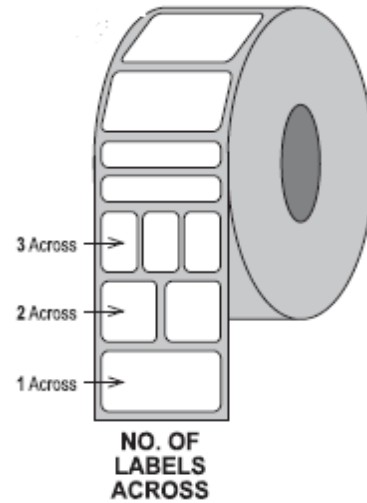


LABEL AND PRINT TECHNOLOGIES - DIE SIZE LIST

| | Measure Left to right | Measure top to bottom |
|----------------------------|--------------------------|--------------------------|
| ORIENTATION ON THE ROLL | Width mm | Length mm |
| PORTRAIT | 10 | 13 |
| PORTRAIT | 10 | 60 |
| PORTRAIT | 11 | 75 |
| PORTRAIT | 14 | 78 |
| PORTRAIT | 14 | 150 |
| PORTRAIT | 15 | 40 |
| PORTRAIT | 16 | 50 |
| PORTRAIT | 20 | 10 |
| PORTRAIT | 20 | 50 |
| SQUARE | 23 | 23 |
| PORTRAIT | 23 | 100 |
| LANDSCAPE | 24 | 18 |
| PORTRAIT | 24 | 105 |
| <i>LANDSCAPE</i> | 25 | 12 |
| PORTRAIT | 25 | 35 |
| PORTRAIT | 25 | 90 |
| PORTRAIT | 25 | 160 |
| PORTRAIT | 25 | 190 |
| PORTRAIT | 28 | 60 |
| PORTRAIT | 28 | 146 |
| LANDSCAPE | 30 | 15 |
| LANDSCAPE | 30 | 15 |
| PORTRAIT | 30 | 60 |
| PORTRAIT | 30 | 90 |
| PORTRAIT | 30 | 287 |



Scroll down for more

[Return](#)

| | | |
|-----------|----|-----|
| LANDSCAPE | 31 | 23 |
| LANDSCAPE | 32 | 8 |
| PORTRAIT | 32 | 33 |
| PORTRAIT | 32 | 46 |
| PORTRAIT | 32 | 73 |
| PORTRAIT | 32 | 80 |
| PORTRAIT | 34 | 49 |
| LANDSCAPE | 35 | 15 |
| PORTRAIT | 35 | 80 |
| PORTRAIT | 35 | 110 |
| LANDSCAPE | 36 | 17 |
| LANDSCAPE | 36 | 38 |
| PORTRAIT | 36 | 46 |
| LANDSCAPE | 37 | 50 |
| PORTRAIT | 37 | 69 |
| PORTRAIT | 37 | 80 |
| LANDSCAPE | 37 | 90 |
| LANDSCAPE | 38 | 12 |
| PORTRAIT | 38 | 74 |
| PORTRAIT | 38 | 123 |
| LANDSCAPE | 40 | 10 |
| LANDSCAPE | 40 | 15 |
| LANDSCAPE | 40 | 20 |
| LANDSCAPE | 40 | 24 |
| LANDSCAPE | 40 | 30 |
| LANDSCAPE | 40 | 30 |
| LANDSCAPE | 40 | 30 |
| SQUARE | 40 | 40 |
| PORTRAIT | 40 | 45 |
| PORTRAIT | 40 | 55 |
| PORTRAIT | 40 | 62 |

| | | |
|-----------|----|-----|
| PORTRAIT | 40 | 100 |
| PORTRAIT | 40 | 100 |
| LANDSCAPE | 40 | 142 |
| PORTRAIT | 41 | 85 |
| PORTRAIT | 44 | 162 |
| PORTRAIT | 45 | 15 |
| LANDSCAPE | 45 | 20 |
| LANDSCAPE | 45 | 23 |
| PORTRAIT | 45 | 55 |
| PORTRAIT | 45 | 80 |
| PORTRAIT | 45 | 95 |
| PORTRAIT | 45 | 110 |
| LANDSCAPE | 46 | 31 |
| LANDSCAPE | 46 | 35 |
| LANDSCAPE | 46 | 40 |
| PORTRAIT | 46 | 143 |
| PORTRAIT | 47 | 50 |
| PORTRAIT | 48 | 105 |
| LANDSCAPE | 49 | 47 |
| LANDSCAPE | 49 | 47 |
| PORTRAIT | 49 | 80 |
| PORTRAIT | 49 | 181 |
| LANDSCAPE | 50 | 25 |
| LANDSCAPE | 50 | 35 |
| PORTRAIT | 50 | 95 |
| PORTRAIT | 50 | 98 |
| PORTRAIT | 50 | 100 |
| PORTRAIT | 50 | 118 |
| PORTRAIT | 50 | 138 |
| PORTRAIT | 50 | 150 |
| PORTRAIT | 50 | 160 |

| | | |
|------------------|-----------|------------|
| <i>PORTRAIT</i> | 50 | 199 |
| <i>LANDSCAPE</i> | 52 | 30 |
| SQUARE | 53 | 53 |
| LANDSCAPE | 54 | 40 |
| LANDSCAPE | 55 | 26 |
| LANDSCAPE | 55 | 36 |
| PORTRAIT | 55 | 165 |
| LANDSCAPE | 56 | 19 |
| LANDSCAPE | 58 | 11 |
| LANDSCAPE | 58 | 43 |
| LANDSCAPE | 58 | 55 |
| LANDSCAPE | 58 | 55 |
| PORTRAIT | 58 | 64 |
| PORTRAIT | 58 | 95 |
| PORTRAIT | 58 | 140 |
| PORTRAIT | 58 | 280 |
| PORTRAIT | 59 | 39 |
| PORTRAIT | 59 | 200 |
| LANDSCAPE | 60 | 18 |
| LANDSCAPE | 60 | 23 |
| LANDSCAPE | 60 | 25 |
| LANDSCAPE | 60 | 55 |
| PORTRAIT | 60 | 69 |
| PORTRAIT | 60 | 80 |
| PORTRAIT | 60 | 98 |
| PORTRAIT | 60 | 98 |
| PORTRAIT | 60 | 100 |
| PORTRAIT | 60 | 120 |
| PORTRAIT | 60 | 120 |
| <i>PORTRAIT</i> | 60 | 125 |
| PORTRAIT | 60 | 138 |

| | | |
|-----------|----|--------|
| PORTRAIT | 60 | 148 |
| PORTRAIT | 60 | 148 |
| PORTRAIT | 60 | 148 |
| PORTRAIT | 60 | 200 |
| LANDSCAPE | 63 | 46.8 |
| PORTRAIT | 64 | 114 |
| LANDSCAPE | 65 | 32 |
| LANDSCAPE | 65 | 56 |
| PORTRAIT | 65 | 92 |
| PORTRAIT | 65 | 99 |
| PORTRAIT | 65 | 125 |
| PORTRAIT | 65 | 128 |
| PORTRAIT | 65 | 130 |
| PORTRAIT | 65 | 220 |
| PORTRAIT | 65 | 257 |
| PORTRAIT | 67 | 75 |
| PORTRAIT | 67 | 296.23 |
| LANDSCAPE | 68 | 19 |
| PORTRAIT | 68 | 190 |
| LANDSCAPE | 69 | 60 |
| LANDSCAPE | 70 | 7 |
| LANDSCAPE | 70 | 25 |
| LANDSCAPE | 70 | 29 |
| LANDSCAPE | 70 | 37 |
| LANDSCAPE | 70 | 45 |
| LANDSCAPE | 70 | 45 |
| LANDSCAPE | 70 | 45 |
| LANDSCAPE | 70 | 45 |
| LANDSCAPE | 70 | 67 |
| LANDSCAPE | 70 | 75 |
| PORTRAIT | 70 | 80 |

| | | |
|-----------|--------|---------|
| LANDSCAPE | 70 | 127.5 |
| PORTRAIT | 70 | 128 |
| LANDSCAPE | 74 | 10 |
| SQUARE | 75 | 75 |
| PORTRAIT | 75 | 144.5 |
| PORTRAIT | 75 | 148 |
| SQUARE | 77 | 77 |
| PORTRAIT | 77 | 85 |
| PORTRAIT | 77 | 120 |
| LANDSCAPE | 78 | 56 |
| PORTRAIT | 78 | 235 |
| PORTRAIT | 79.523 | 129.542 |
| LANDSCAPE | 80 | 20 |
| LANDSCAPE | 80 | 36 |
| LANDSCAPE | 80 | 46 |
| PORTRAIT | 80 | 110 |
| PORTRAIT | 80 | 110 |
| PORTRAIT | 80 | 130 |
| PORTRAIT | 80 | 130 |
| PORTRAIT | 80 | 155 |
| LANDSCAPE | 84 | 36 |
| LANDSCAPE | 85 | 32 |
| LANDSCAPE | 85 | 65 |
| LANDSCAPE | 85 | 65 |
| LANDSCAPE | 85 | 75 |
| PORTRAIT | 85 | 95 |
| PORTRAIT | 85 | 130 |
| PORTRAIT | 85 | 149 |
| PORTRAIT | 85 | 185 |
| SQUARE | 86 | 86 |
| PORTRAIT | | 230 |

| | | |
|------------------|------------|------------|
| LANDSCAPE | 89 | 40 |
| LANDSCAPE | 90 | 18 |
| LANDSCAPE | 90 | 30 |
| LANDSCAPE | 90 | 73 |
| PORTRAIT | 90 | 140 |
| PORTRAIT | <i>90</i> | <i>150</i> |
| LANDSCAPE | 91.34 | 29 |
| LANDSCAPE | 93 | 63 |
| LANDSCAPE | 95 | 35 |
| SQUARE | 98 | 98 |
| LANDSCAPE | 99 | 65 |
| LANDSCAPE | 100 | 33 |
| LANDSCAPE | 100 | 73.5 |
| <i>LANDSCAPE</i> | <i>100</i> | <i>75</i> |
| LANDSCAPE | 100 | 90 |
| SQUARE | 100 | 100 |
| SQUARE | 100 | 100 |
| PORTRAIT | 100 | 128 |
| PORTRAIT | 100 | 128 |
| PORTRAIT | 100 | 150 |
| PORTRAIT | 100 | 150 |
| PORTRAIT | 100 | 199 |
| PORTRAIT | 100 | 265 |
| LANDSCAPE | 101 | 49 |
| PORTRAIT | 101 | 150 |
| PORTRAIT | 101 | 150 |
| LANDSCAPE | 101.6 | 50.8 |
| PORTRAIT | 101 | 150 |
| LANDSCAPE | 102 | 23 |
| LANDSCAPE | 102 | 23 |
| LANDSCAPE | 105 | 50 |

| | | |
|-----------------|------------|------------|
| LANDSCAPE | 105 | 85 |
| LANDSCAPE | 105 | 77 |
| PORTRAIT | 106 | 130 |
| PORTRAIT | 106 | 178 |
| SQUARE | 107 | 107 |
| SQUARE | 107 | 107 |
| SQUARE | 108 | 108 |
| SQUARE | 108 | 108 |
| LANDSCAPE | 109 | 92 |
| LANDSCAPE | 110 | 45 |
| LANDSCAPE | 110 | 70 |
| LANDSCAPE | 110 | 93.5 |
| PORTRAIT | 110 | 164.5 |
| PORTRAIT | 110 | 281 |
| PORTRAIT | 110 | 300 |
| PORTRAIT | 111 | 132 |
| PORTRAIT | 112 | -0.0053737 |
| LANDSCAPE | 113 | 79 |
| LANDSCAPE | 114 | 50 |
| LANDSCAPE | 114 | 64 |
| PORTRAIT | 116 | 130 |
| <i>PORTRAIT</i> | 116 | 210 |
| LANDSCAPE | 118 | 44 |
| LANDSCAPE | 130 | 50 |
| PORTRAIT | 148 | 210 |
| LANDSCAPE | 128 | 100 |
| LANDSCAPE | 135 | 62 |
| PORTRAIT | 150 | 220 |
| PORTRAIT | 155 | 200 |
| PORTRAIT | 164 | 176 |
| LANDSCAPE | 175 | 25 |

| | | |
|---|-----------|-----------|
| ○ | 10 | 10 |
| ○ | 15 | 15 |
| ○ | 20 | 20 |
| ○ | 24 | 24 |
| ○ | 24.5 | 24.5 |
| ○ | 31 | 31 |
| ⊙ | 32 | 32 |
| ○ | 35 | 35 |
| ○ | 44 | 44 |
| ○ | 48 | 48 |
| ○ | 54.5 | 54.5 |
| ○ | 60 | 60 |
| ○ | 67 | 67 |
| ○ | 75 | 75 |
| ○ | 75 | 75 |
| ○ | 75 | 75 |
| ○ | 85 | 85 |
| ○ | 85 | 85 |
| ○ | 116 | 116 |
| ○ | 16 | 11 |
| ○ | 20 | 30 |
| ○ | 25 | 50 |
| ○ | 25 | 50 |
| | 33 | 43 |
| ○ | 37 | 48 |
| ○ | 40 | 30 |
| ○ | 45 | 75 |
| ○ | 52 | 40 |